



MVE 200/3

Three Phases - 2 poles - 3000 RPM - 50 Hz
230/400 Volt



| Mechanical Features | | Electric Features | |
|-----------------------------------|------------|-----------------------------------------------|--------------------------|
| General | | General | |
| Working Moment | 3.72 kgcm | Nominal Voltage | Δ : 230 V Y : 400 V |
| Unbalance | 1.86 kgcm | Input Power | 0.18 kW |
| FC | 187 kg | Current A Max | Δ : 0.61 A Y : 0.35 A |
| Bearings | | Power factor | 0.78 |
| TYPE (SKF) | 6302 | Ia/In | 3,3 |
| Life(h) | 100% 5539 | Certification | |
| | 80%: 10818 | ETL CLASS II DIV. II GROUP F,G TENV NEMA 4 | T4 |
| | 50%: 44311 | ATEX II 3D Ex tD A22 IP66 | T 100° |
| Bearing Grease (SKF LGHP2) | | Max Amb Temp. | 40 °C |
| Lube Schedule (g) | | | |
| Lube Replacement (g) | | | |

Dimensional Features (mm)

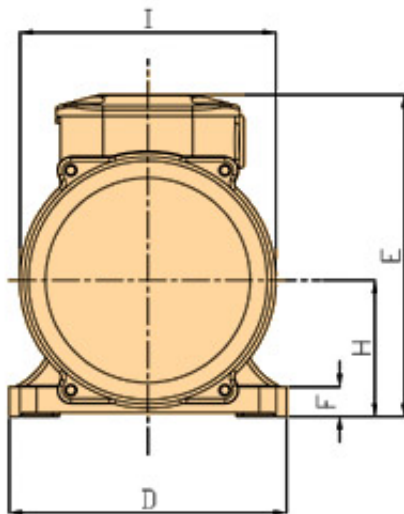
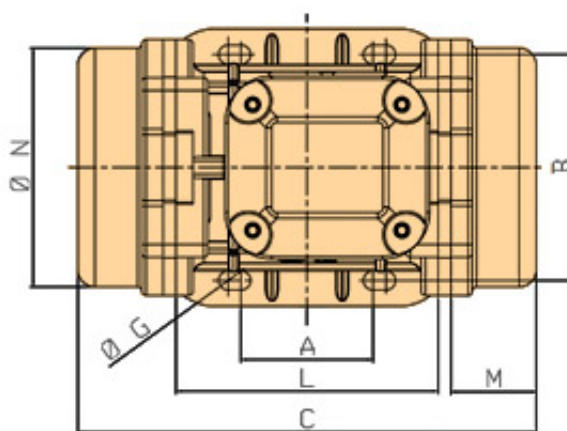


Fig. B



| | |
|-------|-------|
| A | 62-74 |
| B | 106 |
| G | 9 |
| C | 231 |
| M | 54 |
| holes | 4 |
| D | 131 |
| E | 159 |
| F | 15 |
| H | 64 |
| I | 121 |
| L | 123 |
| N | 112 |

Clamping Torque(Nm)

23

[Drawings Download]

| Weight(kg) | Screw | Washer | Cable Type | Cable Glande |
|------------|-------|--------|------------|--------------|
| 7 | M8 | 8.4x16 | 4Gx2.5 | M20 |