



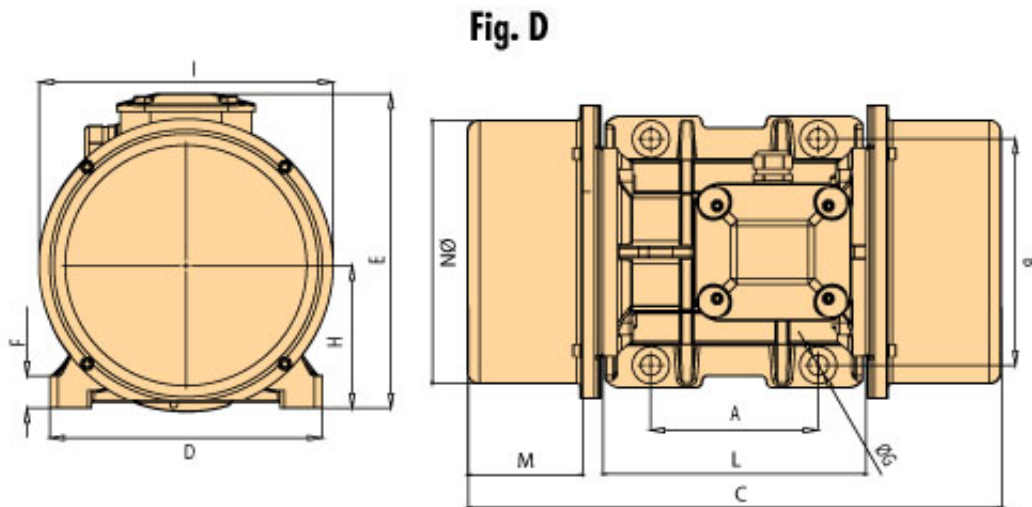
# MVE 150/075

Three Phases - 8 poles - 750 RPM - 50 Hz  
230/400 Volt



Mechanical Features		Electric Features	
<b>General</b>		<b>General</b>	
Working Moment	33.39 kgcm	Nominal Voltage	Δ : 230 V    Y : 400 V
Unbalance	16.7 kgcm	Input Power	0.23 kW
FC	105 kg	Current A Max	Δ : 1.98 A    Y : 1.14 A
<b>Bearings</b>		Power factor	0.29
TYPE (SKF)	6305 2RS	Ia/In	1,5
Life(h)	100% >100000	<b>Certification</b>	
	80%: >100000	ETL CLASS II DIV. II GROUP F,G TENV NEMA 4	T4
	50%: >100000	ATEX II 3D Ex tD A22 IP66	T 100°
<b>Bearing Grease (SKF LGHP2)</b>		Max Amb Temp.	40 °C
Lube Schedule (g)	350		
Lube Replacement (g)	700		

## Dimensional Features (mm)



A	105
B	140
G	13
C	334
M	78
holes	4
D	168
E	196
F	22
H	92
I	169
L	178
N	158

Clamping Torque(Nm)

80

[ Drawings Download ]

Weight(kg)	Screw	Washer	Cable Type	Cable Glande
21.4	M12	13x24	4Gx2.5	M20